

HOT RUNNER QUOTE REQUEST FORM

ALCYOM

Parc Gustave Eiffel – 4 avenue Gutemberg – BP 50
 Bussy St Georges – 77607 Marne la Vallée Cedex 3
 Phone : +33 1 64 76 41 01
 Email : contact-hs@rabourdin.fr

Customer Data :

Company :

Address :

ZIP Code :

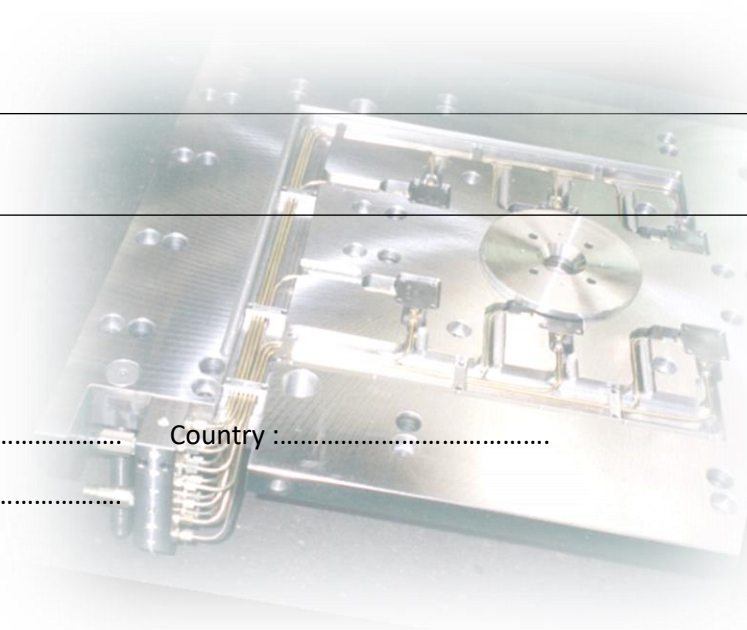
City :

Country :

Phone :

Email :

Contact :



Application Data :

Part name :

Part number :

Part dimensions :

Part weight :

Part thickness :

Wall thickness at gate :

Part material:

Material grade :

Material supplier :

Number of cavities :

Injection direct on part :

Injection on Sub runner :

Processing temp :°C

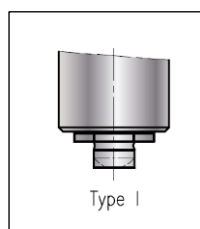
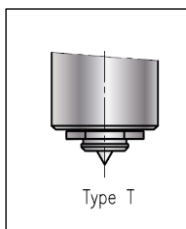
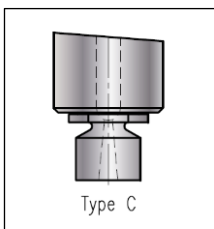
Mold temp :°C

Valve gate option :

HYDRAULIC

PNEUMATIC

Gating Style :



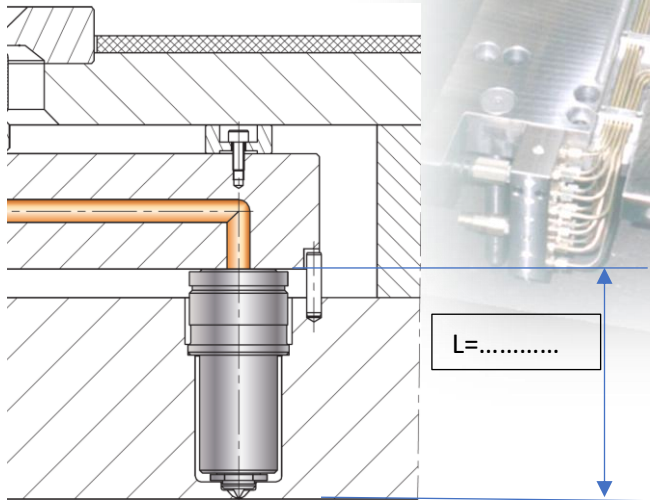
HOT RUNNER QUOTE REQUEST FORM

ALCYOM

Parc Gustave Eiffel – 4 avenue Gutenberg – BP 50
Bussy St Georges – 77607 Marne la Vallée Cedex 3
Phone : +33 1 64 76 41 01
Email : contact-hs@rabourdin.fr

Hot Runner Configuration :

Nozzle length :



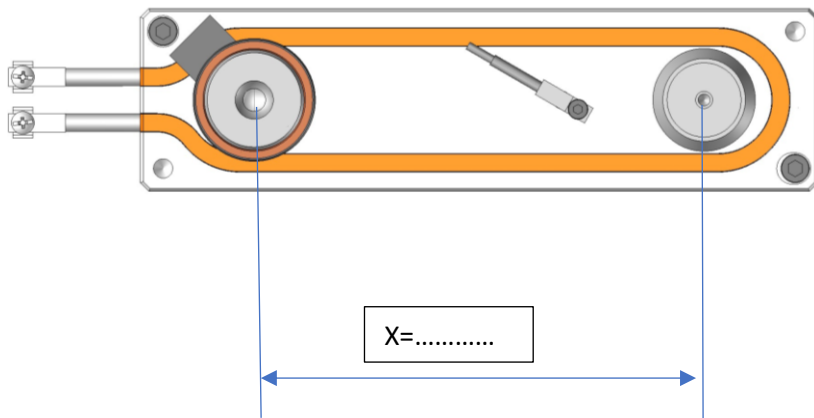
By default, we will provide you standard (L) length as per our catalog.

(L) length can be adjusted by adding custom step between manifold and nozzle

Layout :

1 -in raw.

Nozzle Length under manifold L :



HOT RUNNER QUOTE REQUEST FORM

ALCYOM

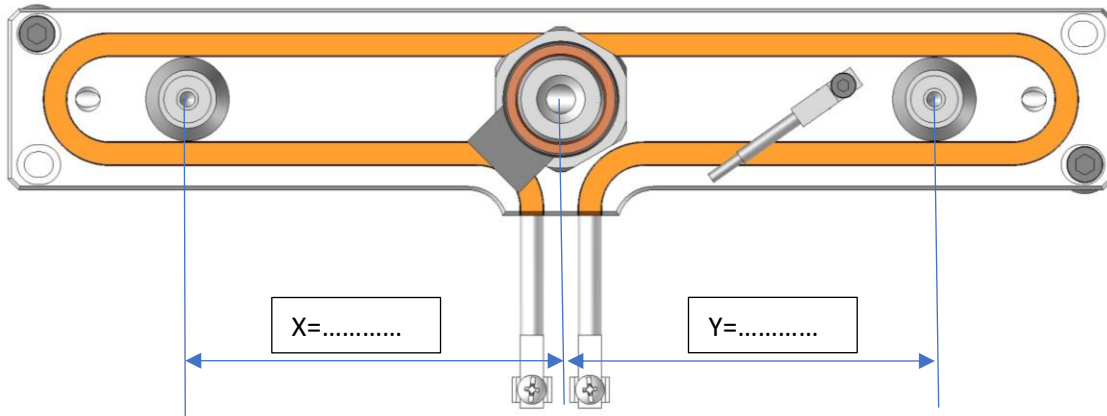
Parc Gustave Eiffel – 4 avenue Gutenberg – BP 50
Bussy St Georges – 77607 Marne la Vallée Cedex 3
Phone : +33 1 64 76 41 01
Email : contact-hs@rabourdin.fr

Hot Runner Configuration :

Layout :

2 -in raw.

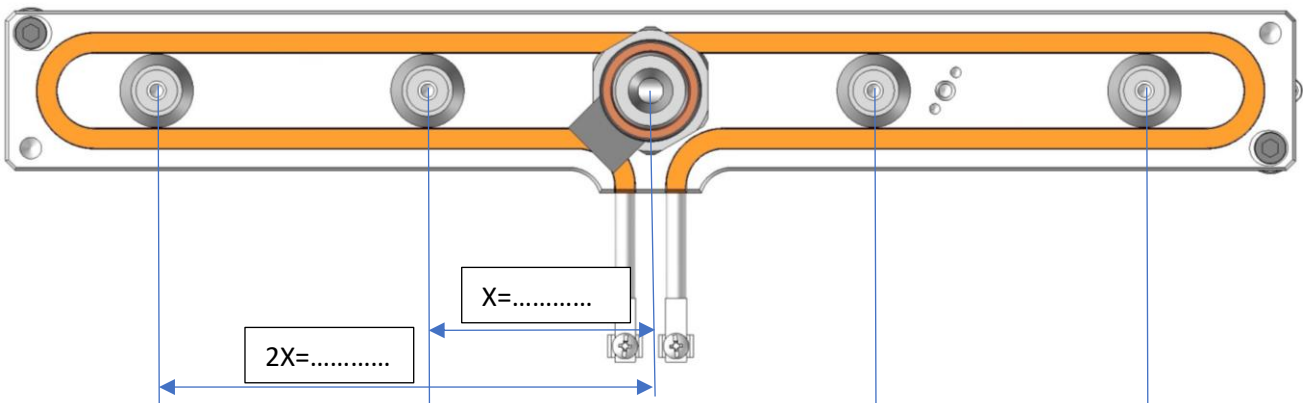
Nozzle Length under manifold L :



Layout :

4-in raw.

Nozzle Length under manifold L :



HOT RUNNER QUOTE REQUEST FORM

ALCYOM

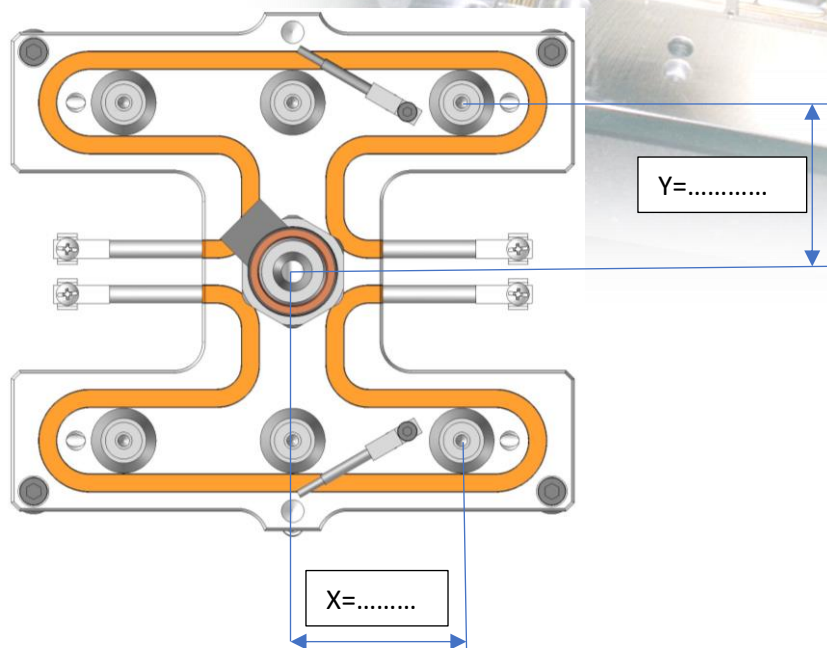
Parc Gustave Eiffel – 4 avenue Gutenberg – BP 50
Bussy St Georges – 77607 Marne la Vallée Cedex 3
Phone : +33 1 64 76 41 01
Email : contact-hs@rabourdin.fr

Hot Runner Configuration :

Layout :

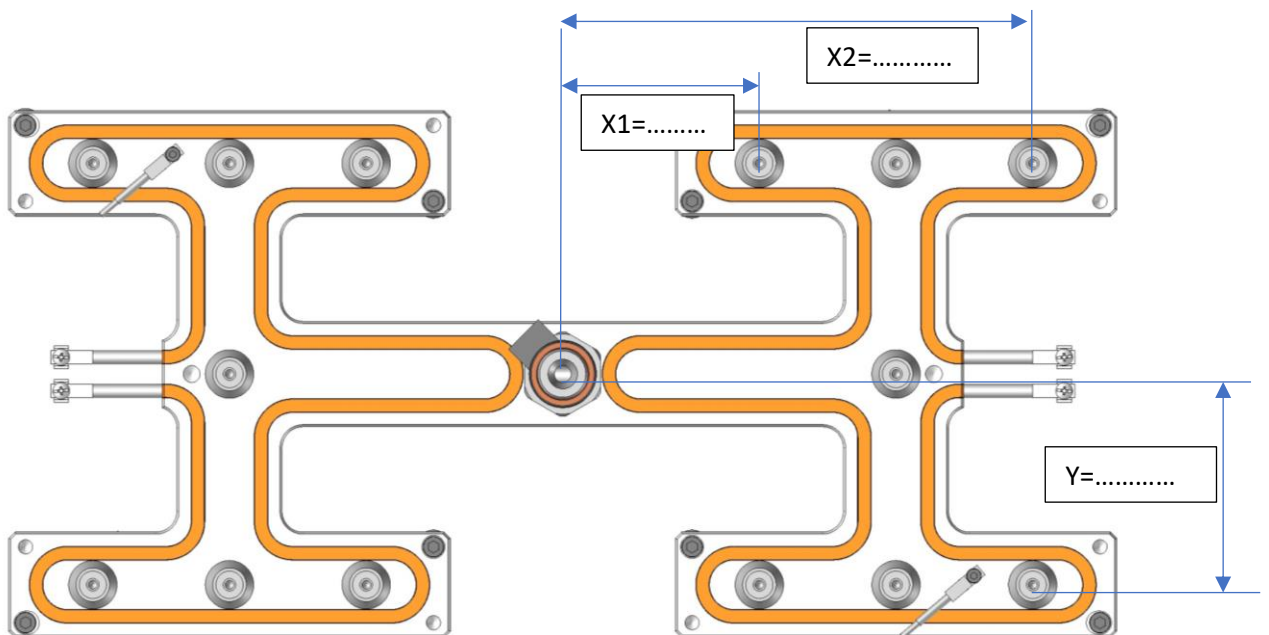
4-in H.

Nozzle Length under manifold L :



8-in H-H.

Nozzle Length under manifold L :



HOT RUNNER QUOTE REQUEST FORM

ALCYOM

Parc Gustave Eiffel – 4 avenue Gutenberg – BP 50
Bussy St Georges – 77607 Marne la Vallée Cedex 3
Phone : +33 1 64 76 41 01
Email : contact-hs@ravourdin.fr

Hot Runner Configuration :

Custom Layout : from 12 and more nozzles. And for custom nozzles position.

If custom layout, please figure out here the position of the nozzles with dimensions (X/Y)

(Y ,Y)

(X ,X)